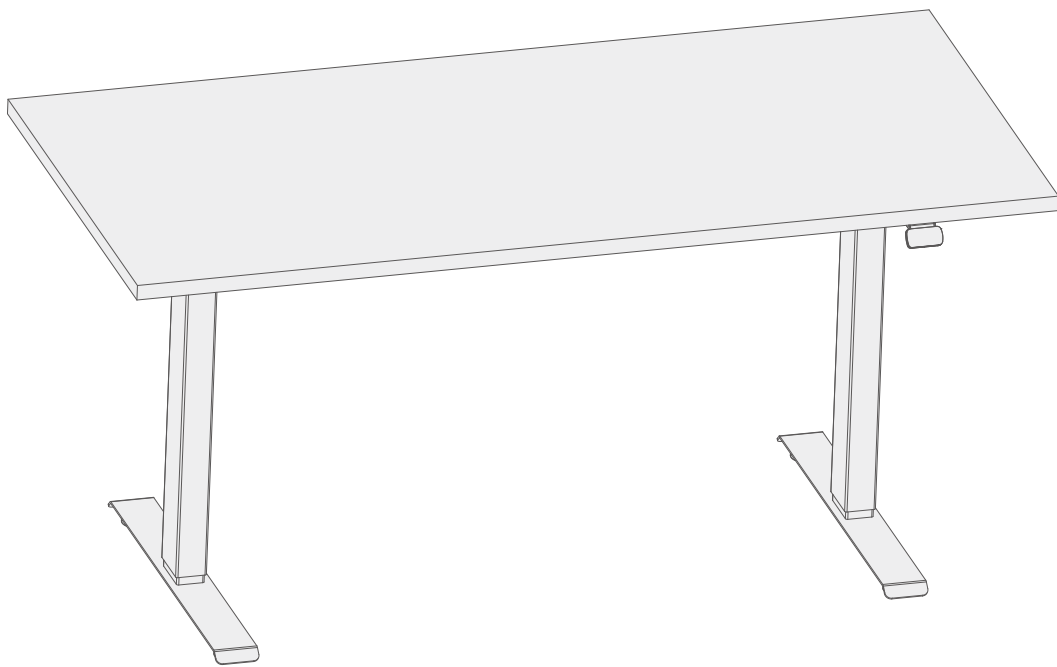


# MASTER

## Height Adjustable Desk

Assembly Guide And User Manual



NUMBER OF PEOPLE  
X2



ASSEMBLY TIME  
15 MINUTES



PLEASE ASSEMBLE  
ON THE CARPET

This desk can only be used with the electric control system provided (This product must be powered on).  
All personnel responsible for the installation and maintenance of this table should read the instructions carefully.













## Transportation

Please handle with care and avoid products falling.













## Assembly

-  Check package contents for completeness or damage before assembly.
-  Check the product appearance and wire for obvious damage, do not install or operate products if damaged.
-  Make sure the product is not connected to a power source during assembly.
-  Ensure that there are no unnecessary obstacles near the assembly area.
-  Ensure that personnel with limited knowledge to respond to hazards are not involved in the assembly process.
-  Children are not allowed to participate in the assembly process to avoid accidentally swallow the installation parts.
-  Do not immerse any components in liquid and clean only with a dry or slightly damp cloth.
-  Do not place any wires under continuous heating source.
-  Be careful not to trip over the wires and to prevent entanglement (between wires and wires, between wires and people).
-  Please be careful to avoid electric shock when plugging in.



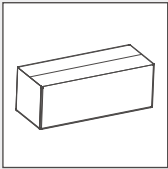
## Using

-  Persons without permission (Children with limited knowledge to potential hazards, people affected by drugs, etc.) should not use, clean or maintain equipment without supervision.
-  Don't sit or stand on the desk.
-  Power the desk off first, and then go under the desk to fix the table top or clean it.
-  Avoid injury caused by collision with desk corners.
-  The desk should not be used in obstructed areas, such as under window edges, cabinets, etc. Please used the desk over 5cm away from the wall.
-  When resetting the desk, please remove everything under the desk, such as chair, cabinet.
-  Please adjust the height of the desk to the lowest and remove all things on the table top before moving the table.
-  Children are not allowed to play with products as toys.
-  After 1 week of use, check that the screws are properly tightened.
-  Before first use, make sure all parts are properly assembled and connected.



# TECHNICAL SPECIFICATIONS

Frame extension range	1160mm-1700mm
Height Range	679mm-1179mm
Rated Load	125Kg
Standard Color	White/Black/Silver
Max.Speed	30mm/s
Number of Motors	2
Noise	<50dB
Duty cycle	S2-20 min.Continuous work for most 2 minutes in a period of 20 minutes
Working Environment	Indoor



**5mm Rubber**  
x2



**2mm Rubber**  
x4



**M6\*12 screw**  
x8



**ST4.2\*16 screw**  
x2



**ST5\*20 screw**  
x7



**M6\*14 screw**  
x8



**Screw clamp**  
x2



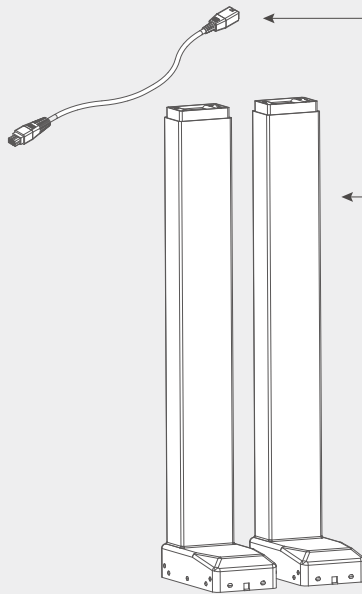
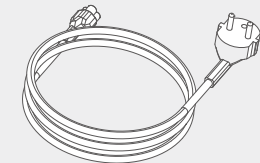
**Screw guide sleeve**  
x2



**Lite2.0 Frame(R)**  
x2



**Power code**  
x1



**Contact cable**  
x1

**M8\*8 screw**  
x2

**Column**  
x2

**Handset**  
x1

**Cable clip**  
x10

**Controlbox**  
x1

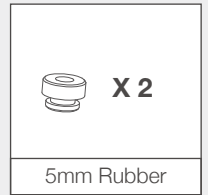
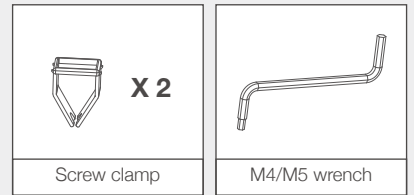
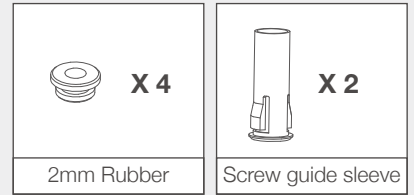
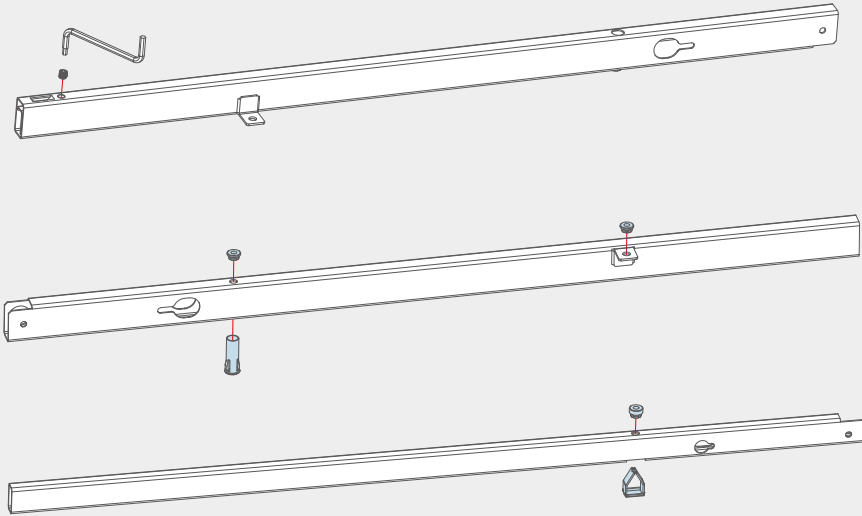
**Side bracket**  
x2

**Foot**  
x2

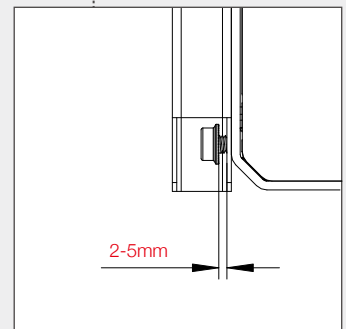
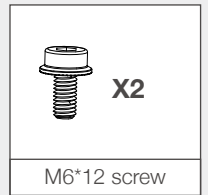
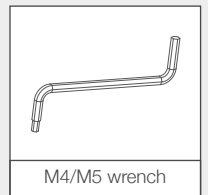
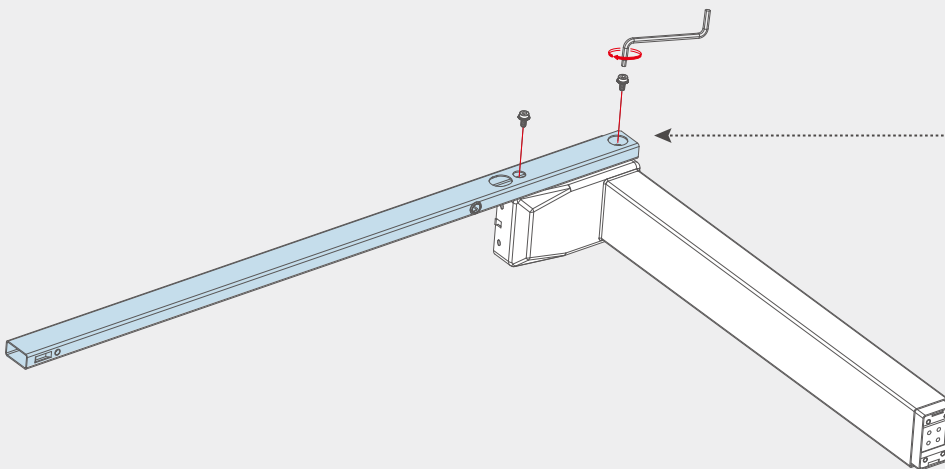
**M4/M4 wrench**  
x1

**Lite2.0 Frame(L)**  
x2

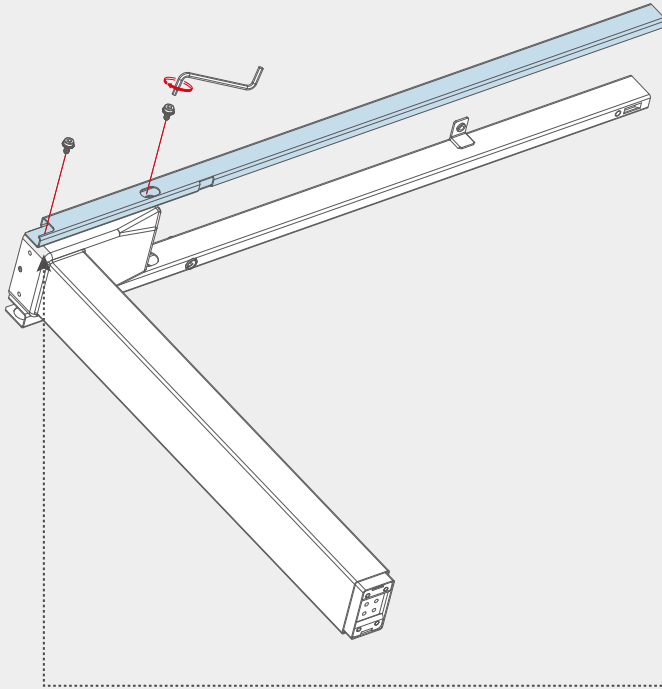
01



02



03

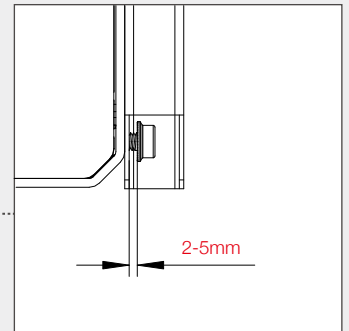


M4/M5 wrench



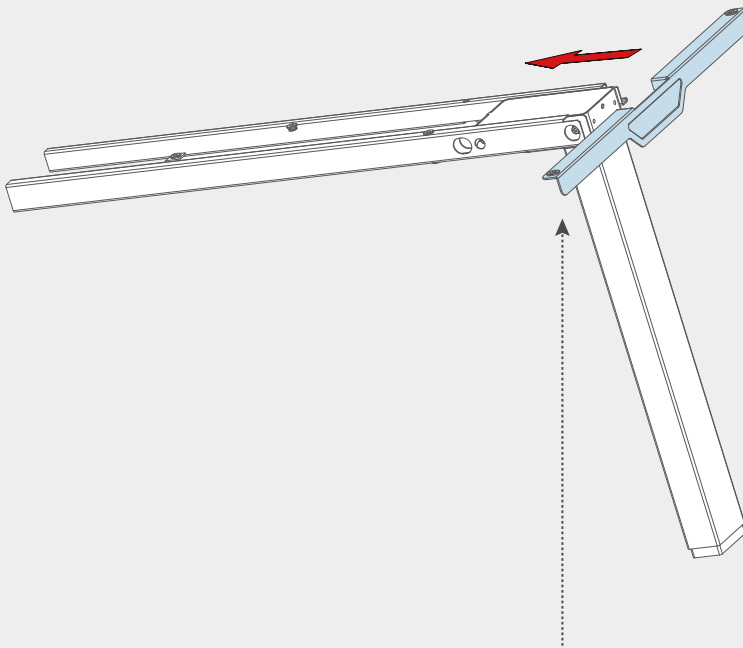
X2

M6\*12 screw

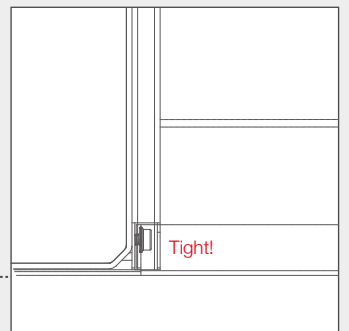


2-5mm

04

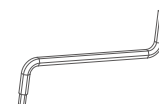
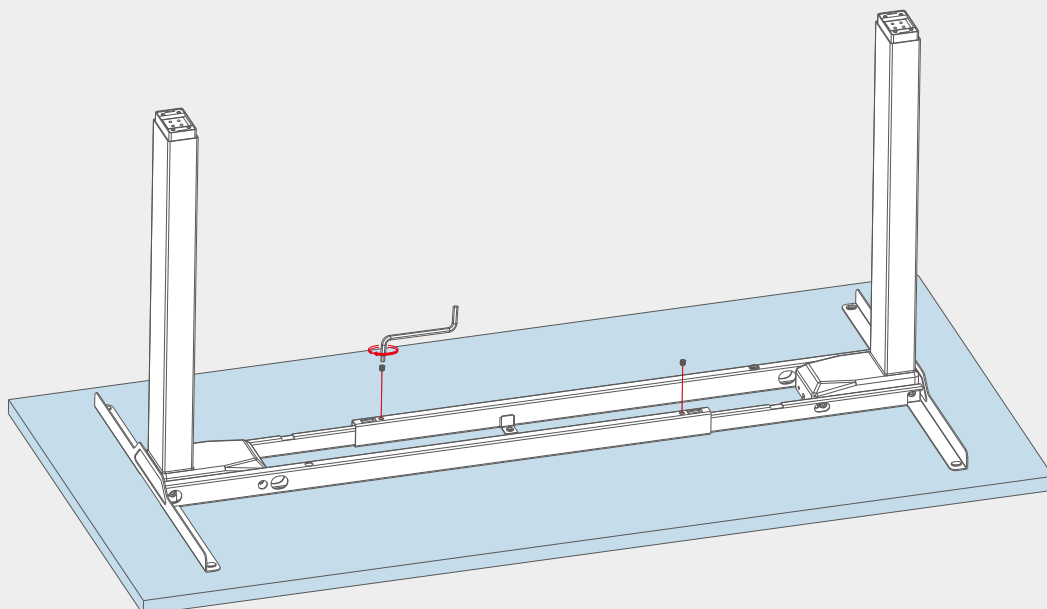


M4/M5 wrench



Tight!

05



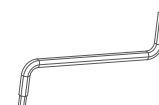
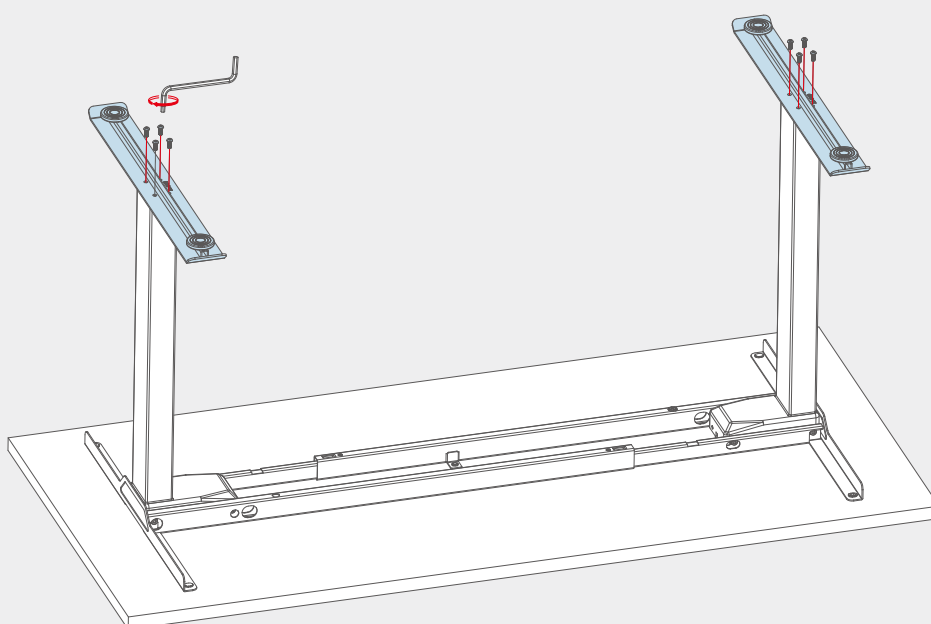
M4/M5 wrench



X2

M8\*8 screw

06



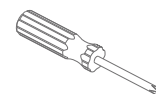
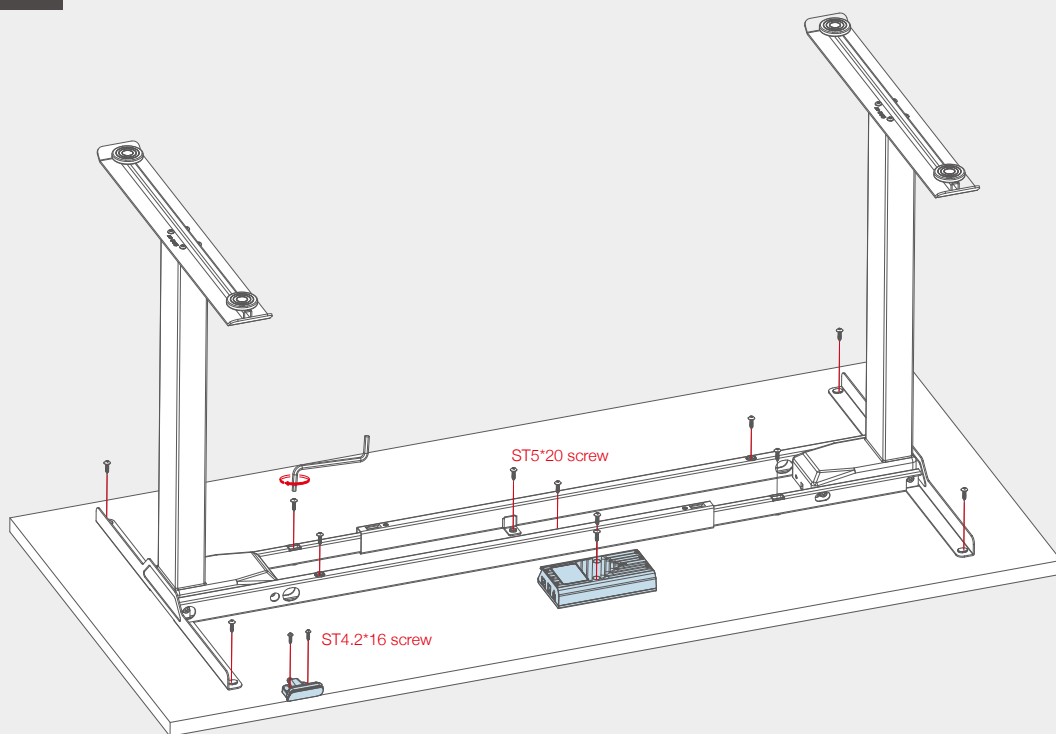
M4/M5 wrench



X8

M6\*14 screw

07



Screwdriver



X 7

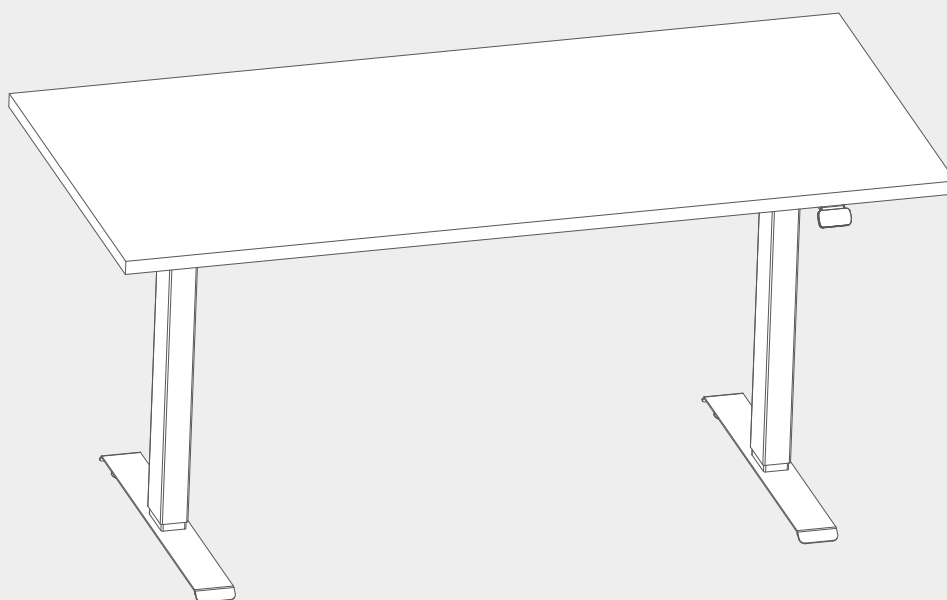
ST5\*20 screw



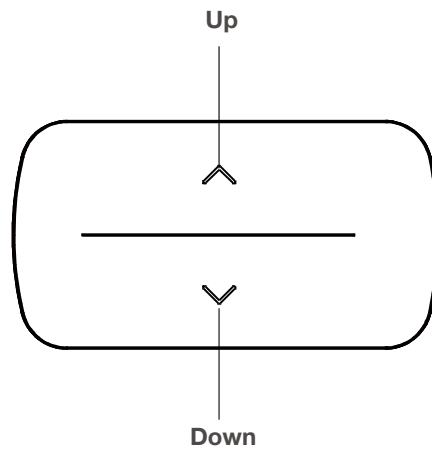
X 2

ST4.2\*16 screw

08





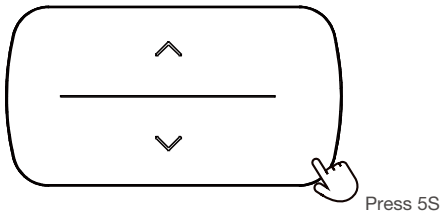


## Note

1. Please make sure no obstacles during up and down.
2. Don't make the desktop attach to wall.

## Suggestion

Set height 1 as the most comfortable height when you sitting; set height 2 as the most comfortable height when you standing; set height 3 and height 4 as what you needed.



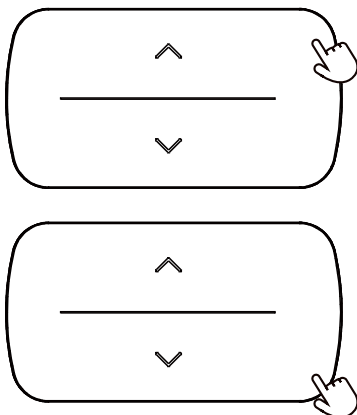
## Abnormal Reast

### Condition

When the display shows an Error code: E07-E09, (Even after reset, the display still shows error code) it doesn't work when pressing any button.

### Operation

Keep pressing the "down" button for 5 seconds, the display shows RST. Release the button, and press the "down" button again to reset.



## Lifting function

### UP

Press and hold the UP button, the height adjustable desk will rise. Release the button, it will stop.

### Down

Press and hold the DOWN button, the height adjustable desk will DOWN. Release the button, it will stop.